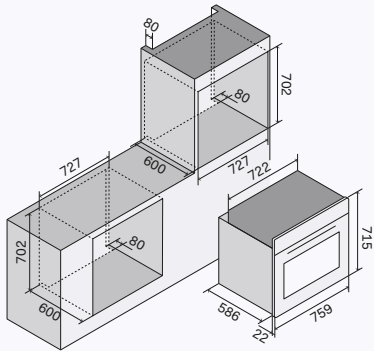


OV30GT31

Electric oven, tempered glass, 76 cm, 30-320°C



General features

- Energy class A
- Operating temperature 30-320°C
- Programmer electronic touch TFT
- Electronic temperature control
- Cooking probe
- Lighting double internal light
- Automatic light switch-on when door opens
- Full glass oven door
- Soft-closing door
- Door glass with triple glass (EN60335-2-6-11.101)
- High density insulation
- Ventilation cooling tangential
- Child safety

Cavity features

- Muffle with easy clean enamel
- Internal dimensions 64x43,3x41 cm
- Capacity 114 L
- Steam discharge controlled with dry or moist cooking option
- Folding grill heating element
- Thermostat with electronic probe

Consumptions

- Maximum input 3,1 kW
- Top electrical heating element 1200 W
- Bottom electrical heating element 1560 W
- Electric grill 3000 W
- Circular heating element 2x1050 W

Colour range



Glossy black – BK

Finishes



Matt black

Functions

- | | | |
|----------------------------|--------------------------------|--------------------------|
| Pizza function | Defrosting | Multiple fan cooking |
| Multiple moist fan cooking | Intensive cooking | Moist intensive cooking |
| Fan grill cooking | Grill cooking with closed door | Cooking from above |
| Moist cooking from above | Cooking from below | Moist cooking from below |
| Static normal cooking | Moist static normal cooking | ECO cooking |
| Hydrolysis cleaning | | |

Price

Order code: OV30GT31

Black matt