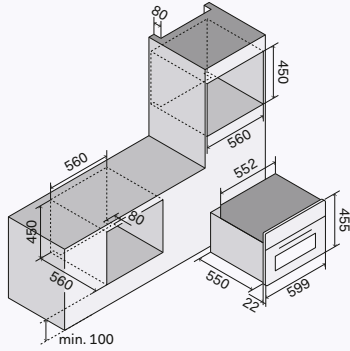


645STZ41

Compact 400°C electronic oven, stainless steel, 60 cm, 30-400°C



General features

- Energy class A
- Operating temperature 30-400°C
- Programmer electronic touch TFT
- Electronic temperature control
- Lighting internal light
- Door glass with four glass (EN60335-2-6-11.101)
- High density insulation
- Ventilation cooling tangential
- Child safety

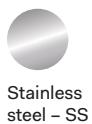
Cavity features

- Muffle AISI 304 stainless steel
- Internal dimensions 44x21x40,5 cm
- Capacity 37 L
- Steam discharge controlled with dry or moist cooking option
- Thermostat with electronic probe

Consumptions

- Maximum input 2,9 kW
- Top electrical heating element 900 W
- Bottom electrical heating element 1300 W
- Electric grill 1600 W
- Circular heating element 2000 W

Colour range



Finishes



Functions

- | | | |
|--------------------------------|--------------------------|----------------------------|
| Pizza function | Defrosting | Quick start |
| Intensive cooking | Moist intensive cooking | Fan grill cooking |
| Grill cooking with closed door | Cooking from above | Moist cooking from above |
| Cooking from below | Moist cooking from below | Static normal cooking |
| Moist static normal cooking | Multiple fan cooking | Multiple moist fan cooking |
| ECO cooking | | |

Price

Order code: 645STZ41

Brushed